



INTELLECTUAL PROPERTY
OFFICE OF THE PHILIPPINES

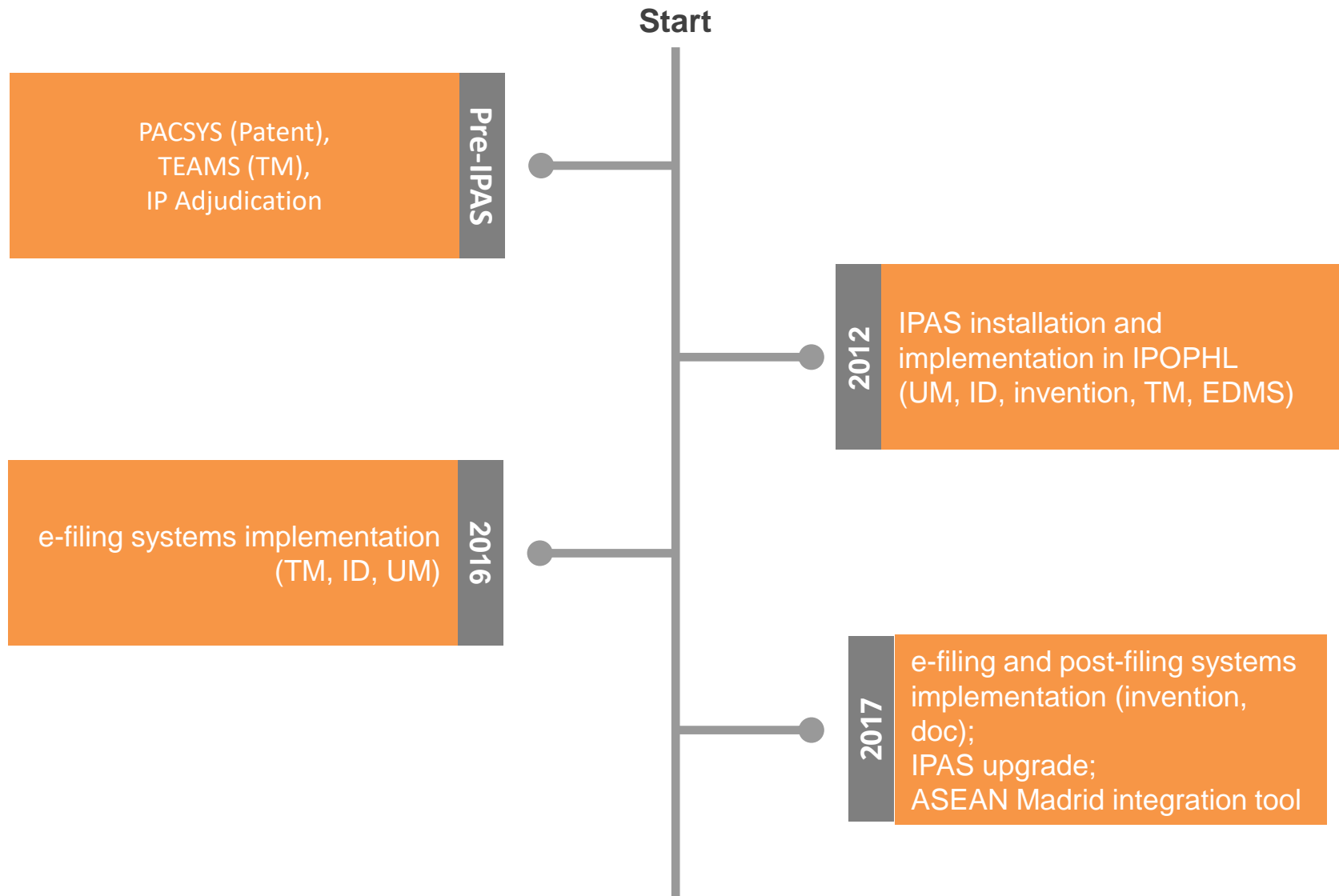
Topic 5: Intellectual Property Office of the Philippines (IPOPHL) - Overview of IP Office Services, and IT Infrastructure and System Supporting the IP Office Operations

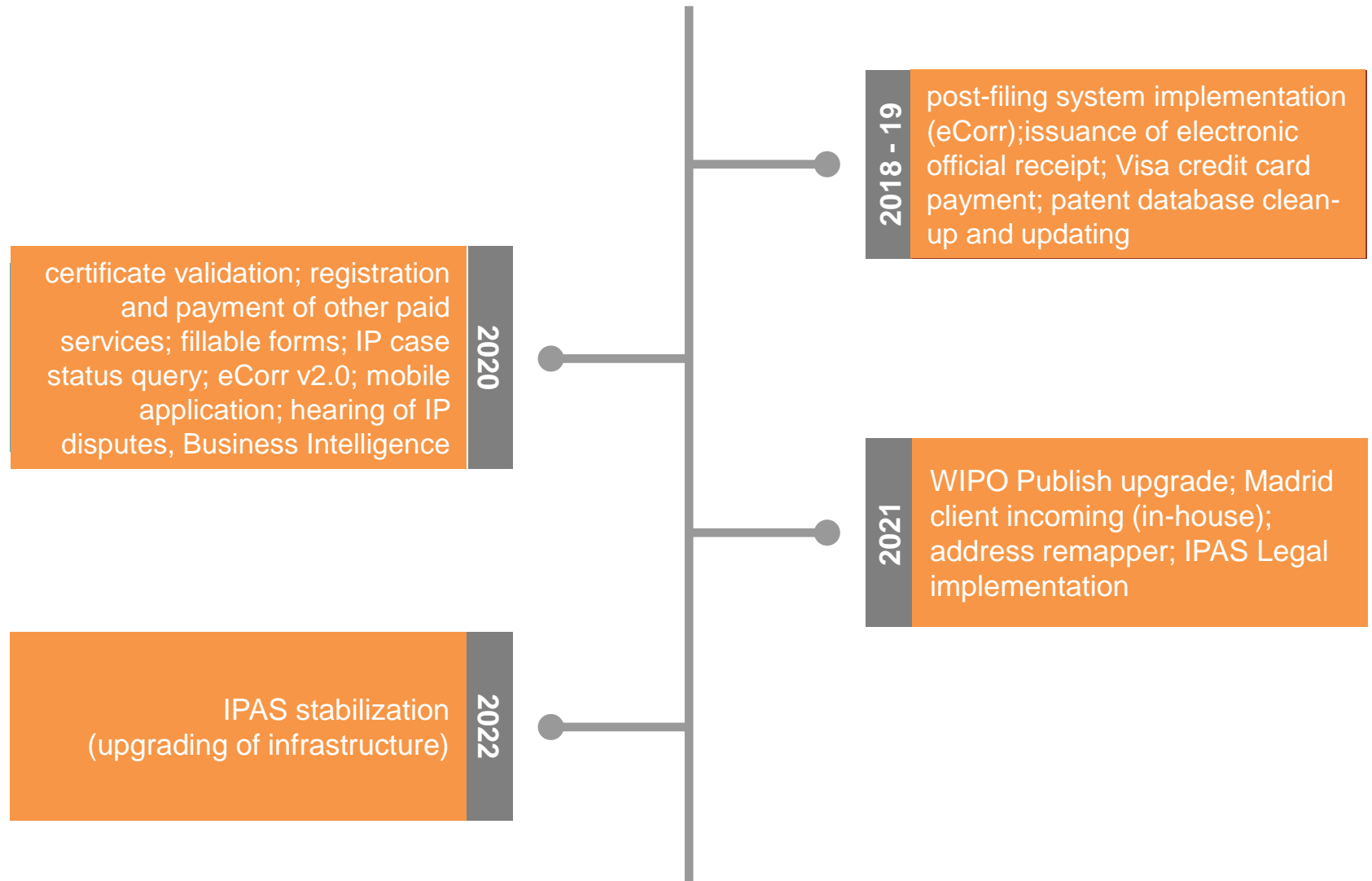
Darlene B. Barracas
Information Technology Officer II

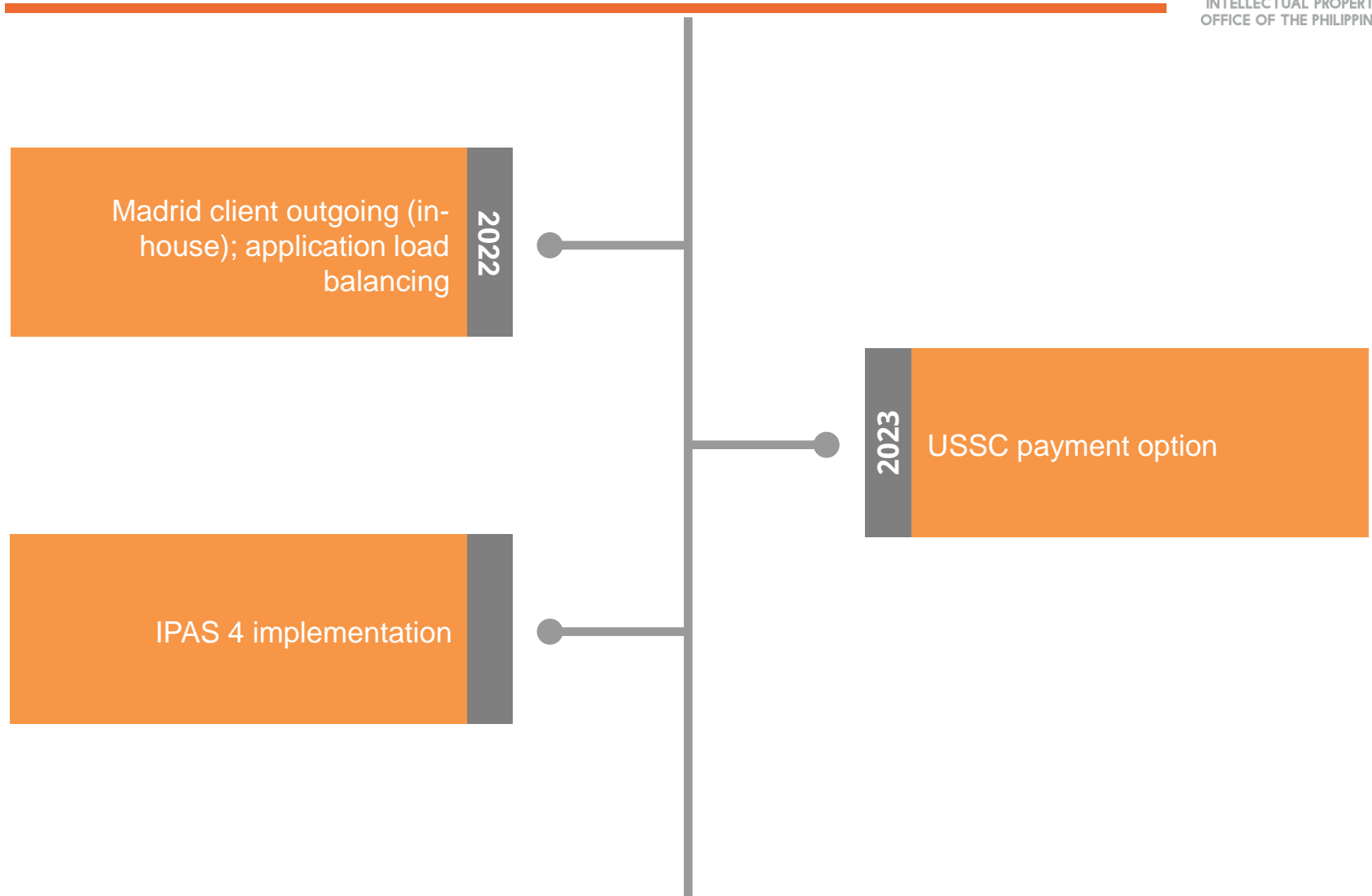
IPOPHL Services through the years

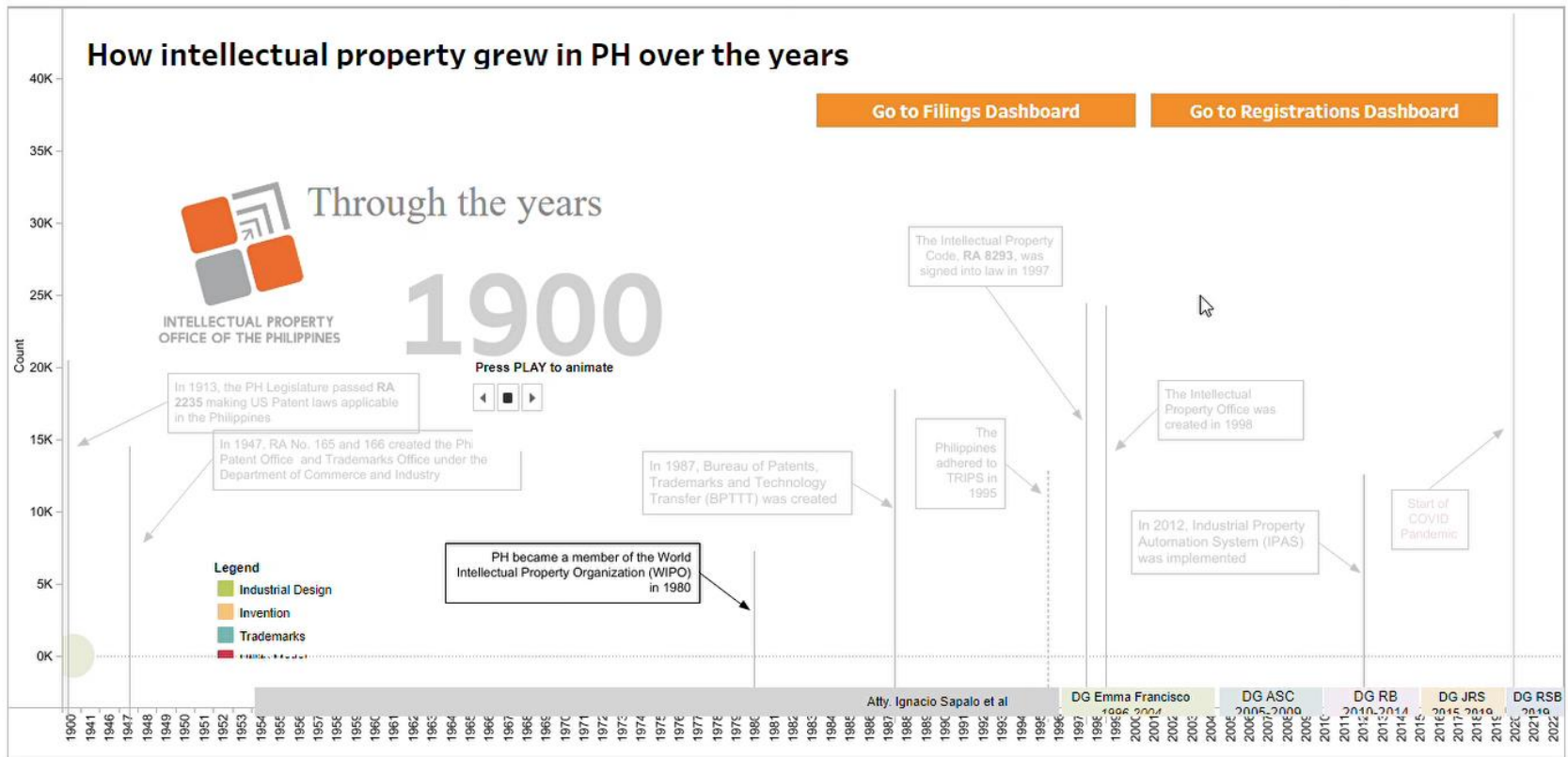


INTELLECTUAL PROPERTY
OFFICE OF THE PHILIPPINES









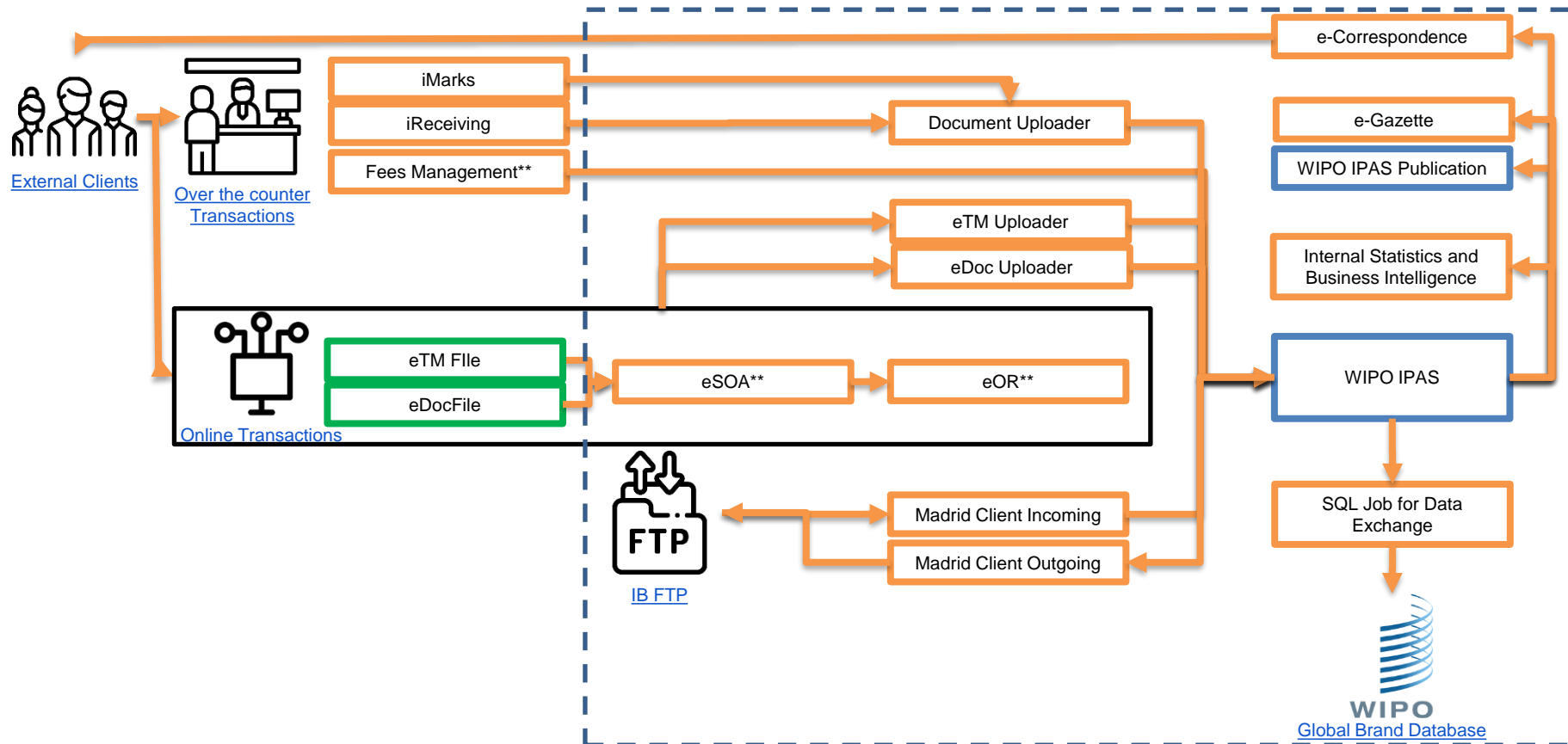
Datasource: VW_IP_COMBINEDv2 (PROD.IPOPHL-BI-2022) as of 11/20/2023 5:04:06 AM

Trademarks Pre-pandemic

version 3.1.1 D



INTELLECTUAL PROPERTY
OFFICE OF THE PHILIPPINES

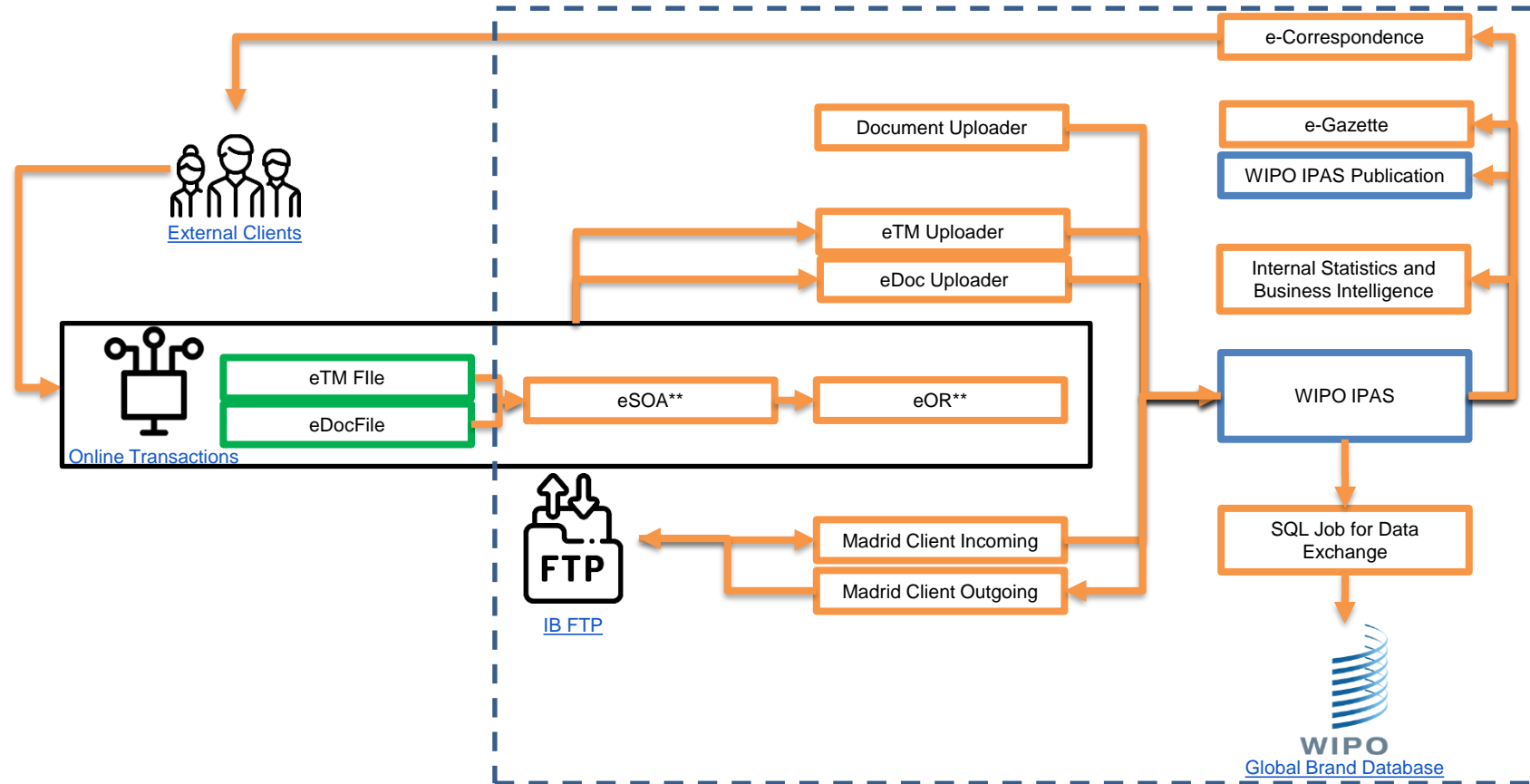


Trademarks

version 3.1.1 D



INTELLECTUAL PROPERTY
OFFICE OF THE PHILIPPINES

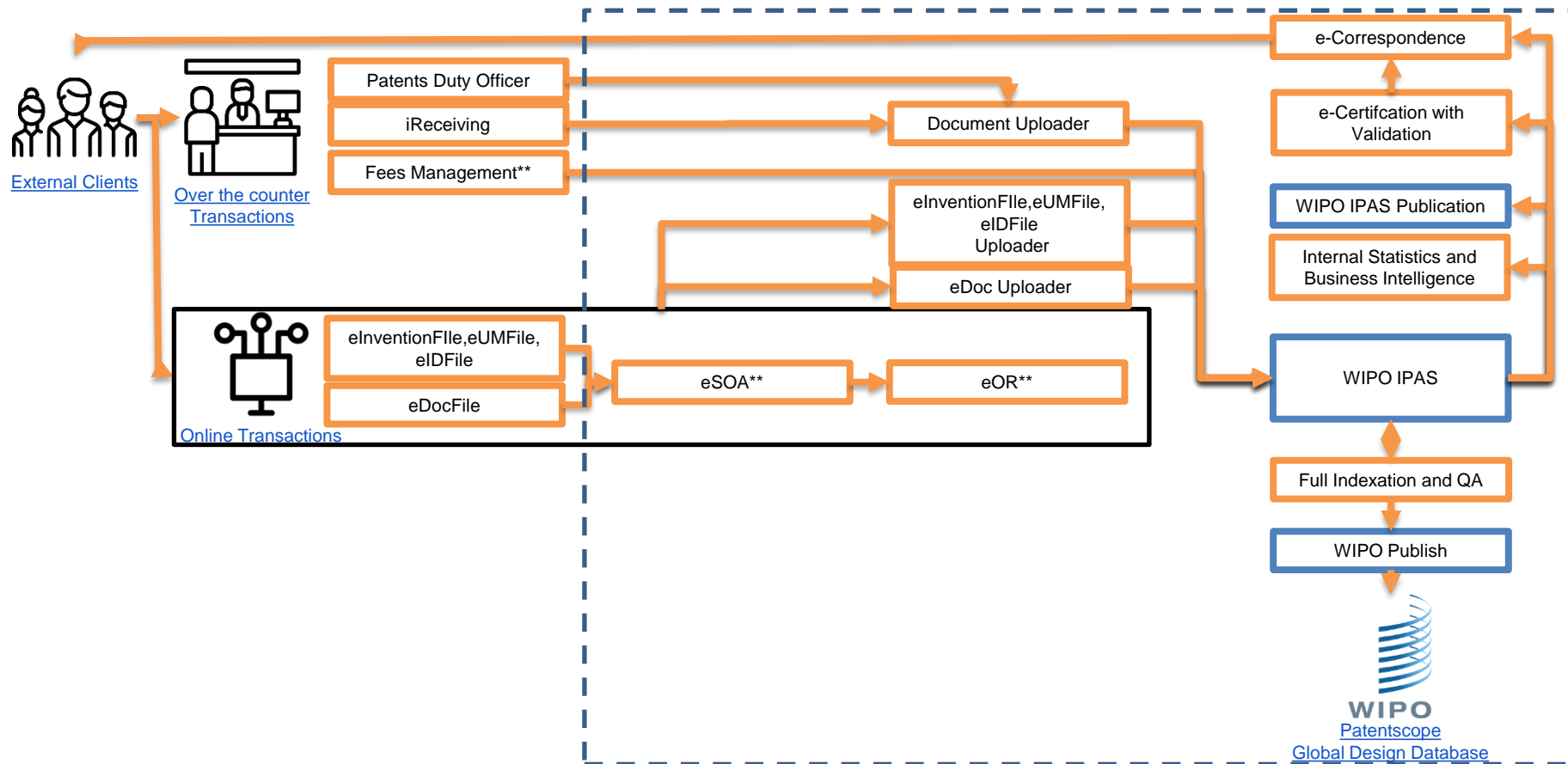


Patents Pre-pandemic

version 3.1.1 D



INTELLECTUAL PROPERTY
OFFICE OF THE PHILIPPINES

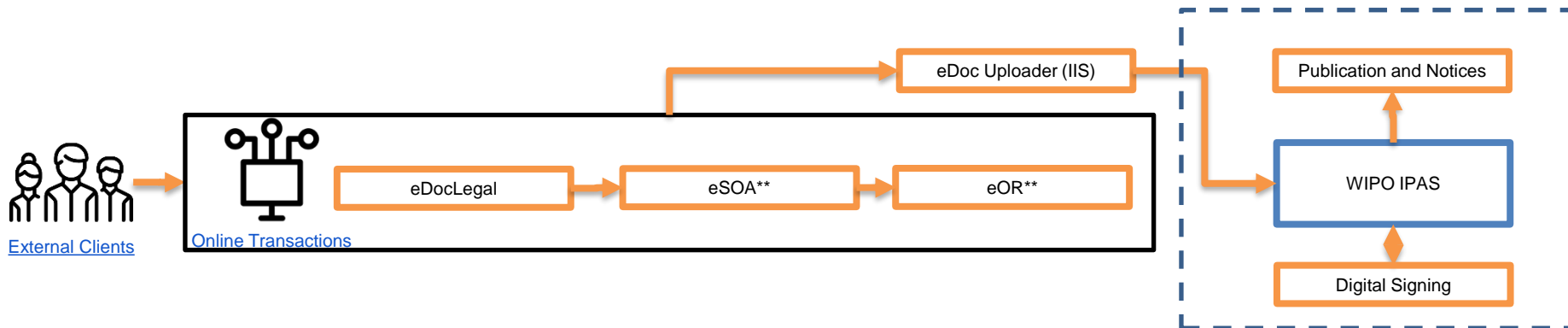


Legal

version 3.6.1 A



INTELLECTUAL PROPERTY
OFFICE OF THE PHILIPPINES



Management Information Service

Organizational Chart prior 2023

Total Plantilla: 26

- Filled-Up : 21

- Vacant : 5

DBP COS : 2

Office of the
Director

Plantilla Positions : 4

Filled-Up : 4

Application
Management
Division

Plantilla Positions : 11

- Filled-Up : 9

- Vacant : 2

IT Facilities
Management
Division

Plantilla Positions : 11

- Filled-Up : 8

- Vacant : 3

Management Information Service

Organizational Chart

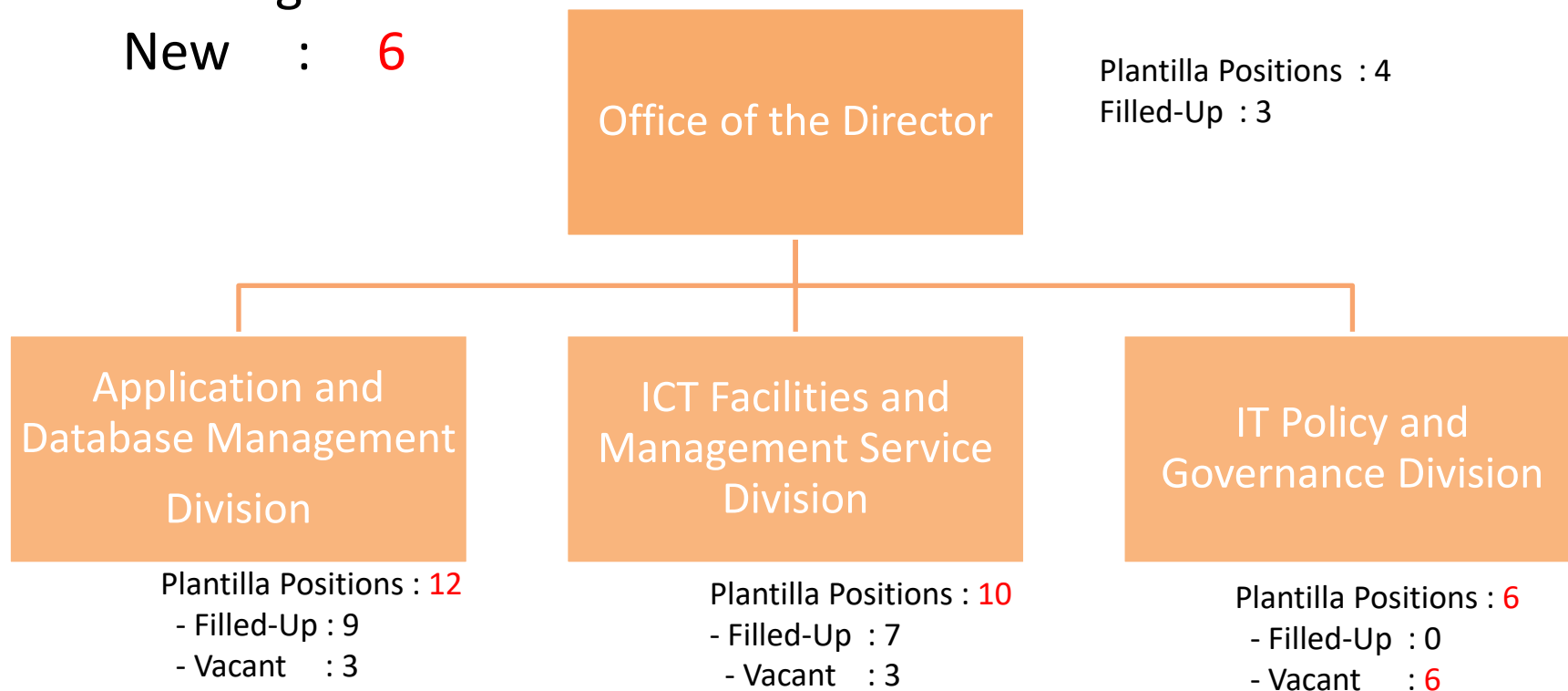


INTELLECTUAL PROPERTY
OFFICE OF THE PHILIPPINES

Total Plantilla: **32**

Existing: 26

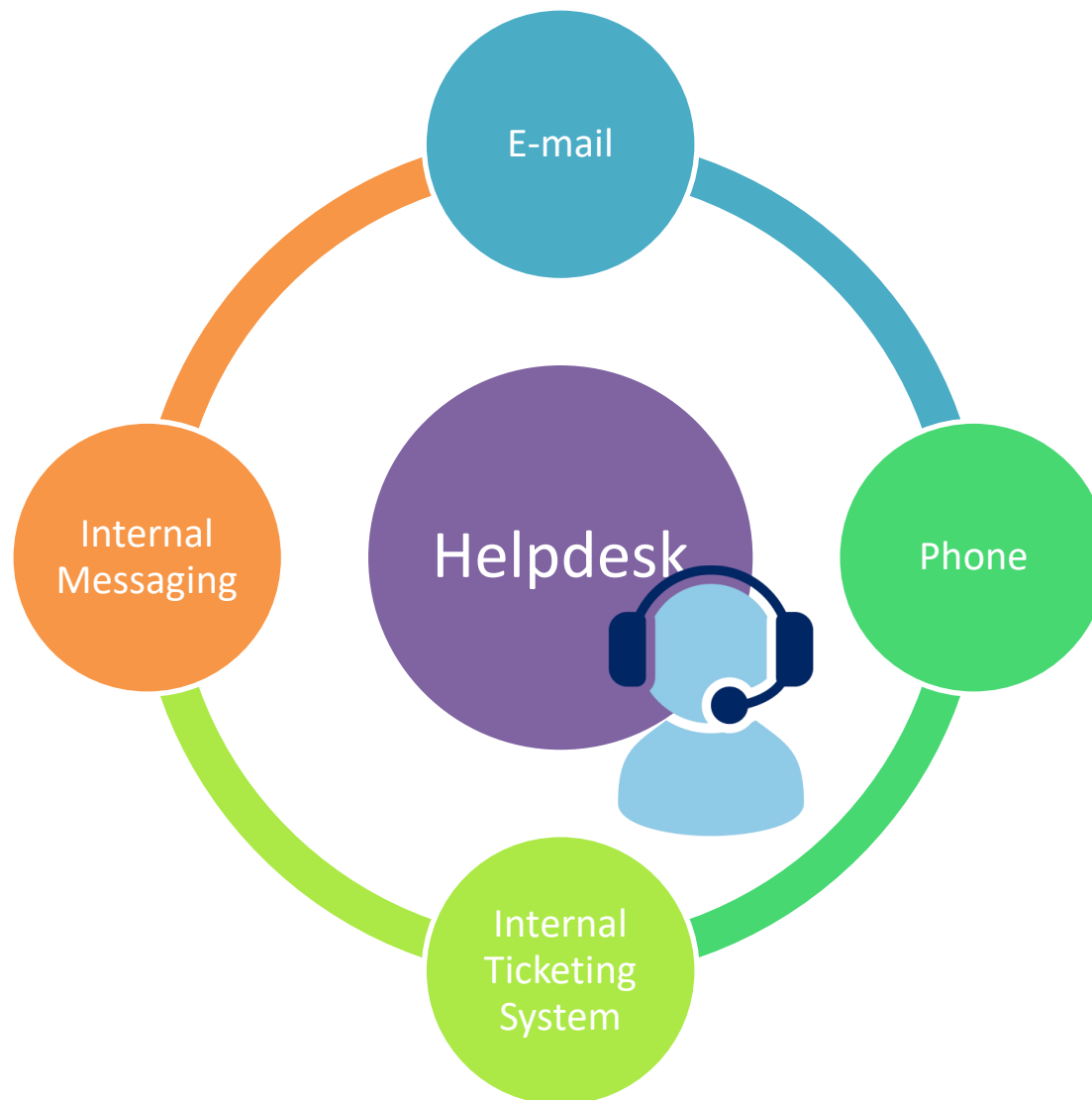
New : **6**



Helpdesk



INTELLECTUAL PROPERTY
OFFICE OF THE PHILIPPINES





INTELLECTUAL PROPERTY
OFFICE OF THE PHILIPPINES

*Towards a Creative
and Innovative Philippines*

Contact Us:

Trunkline: (+632) 7 238-6300

Public Information Desk Local: 5405 to 5406

Local: 7309

darlene.boyles@ipophil.gov.ph

Follow us:



<https://www.facebook.com/IPOPHL>



<https://twitter.com/ipophl>